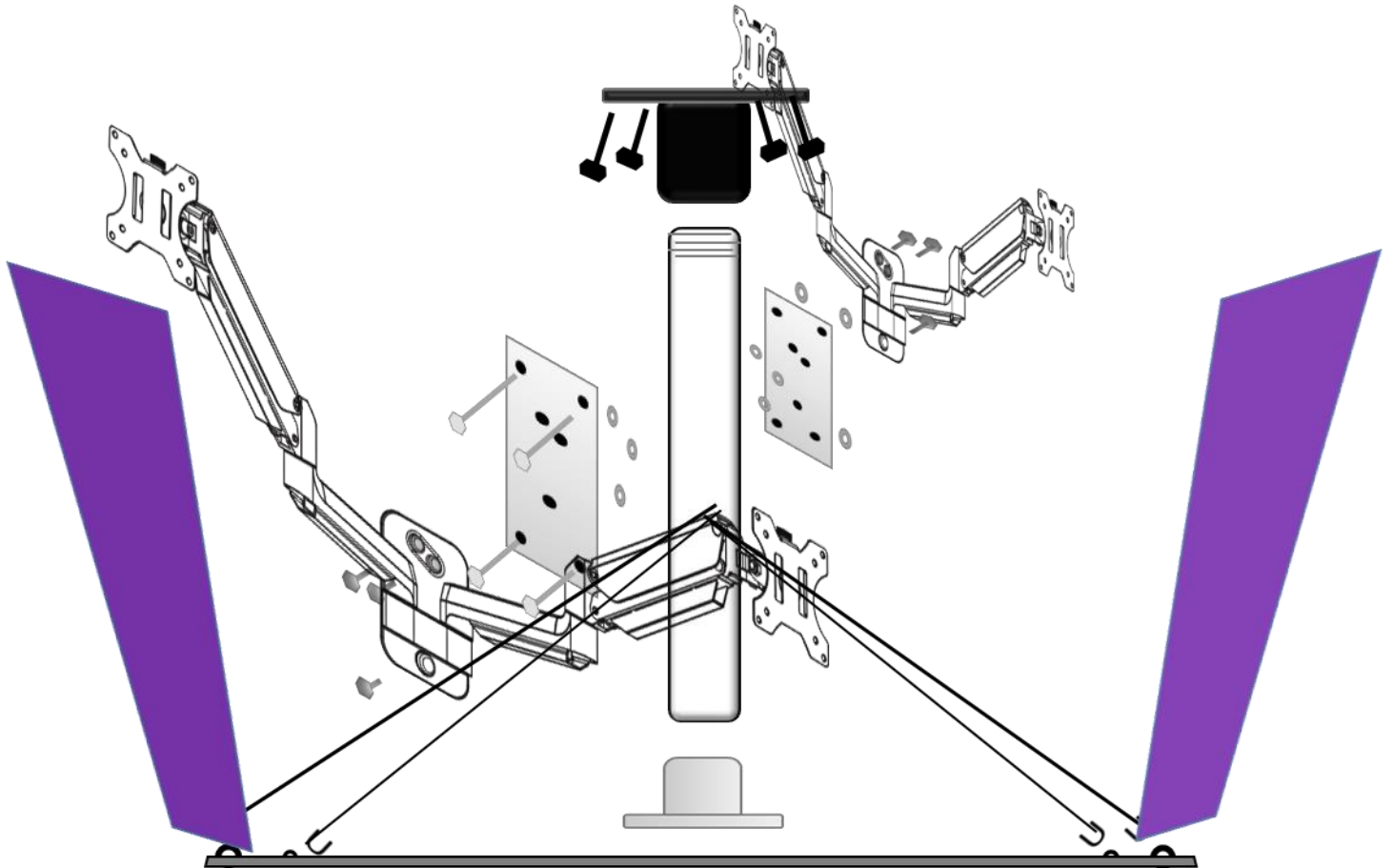


PEORIA, ARIZONA

THE NANOTRON 32 - INSTALLATION INSTRUCTIONS



**AFFIX YOUR GRAPHICS TO THE BASE & PLEXI-GLASS BEFORE BEGINNING THE INSTALLATION
PLEASE REFER TO THE SEPARATE GRAPHICS & VELCRO INSTALLATION INSTRUCTIONS**

AFFIX YOUR GRAPHICS TO THE BASE & PLEXI-GLASS BEFORE BEGINNING THE INSTALLATION.

PLEASE TAKE YOUR TIME WORKING THROUGH THESE INSTALLATION INSTRUCTIONS. PLEASE ASK SOMEONE TO HELP WITH ANY STEP HEAVY LIFTING.

WE TALKIN' ABOUT PRACTICE: WE RECOMMEND PERFORMING A PRACTICE INSTALL ON A TABLE BEFORE ATTEMPTING TO MOUNT THE MINI JUMBOTRON TO THE CEILING. THIS PRACTICE INSTALL WILL RESULT IN A SMOOTHER CEILING INSTALL AS IT OFFERS AN OPPORTUNITY TO DIAL IN THE MOUNTS, ATTACH THE (OPTIONAL) SEAL & VELCRO TO THE TVS AND TIDY UP CORDS. IT IS MUCH EASIER TO MAKE THESE TWEAKS NOW BEFORE THE MINI JUMBOTRON IS RAISED.

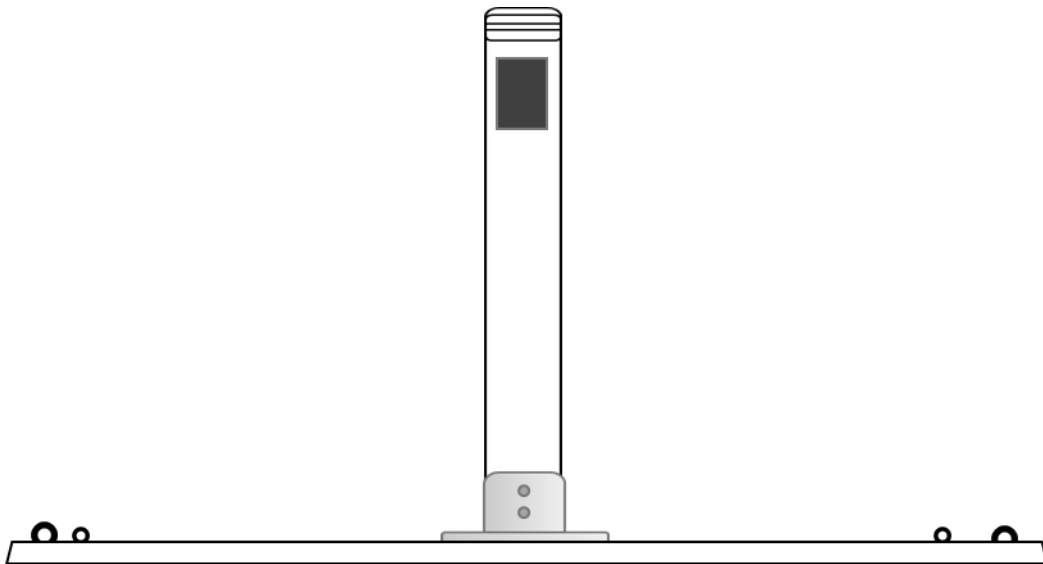
DURING INSTALLATION, PLEASE PROTECT THE MINI JUMBOTRON BASE SO IT DOES NOT SCRATCH.

Before enjoying your Mini Jumbotron, you will need to assemble its guts. No guts, no glory.

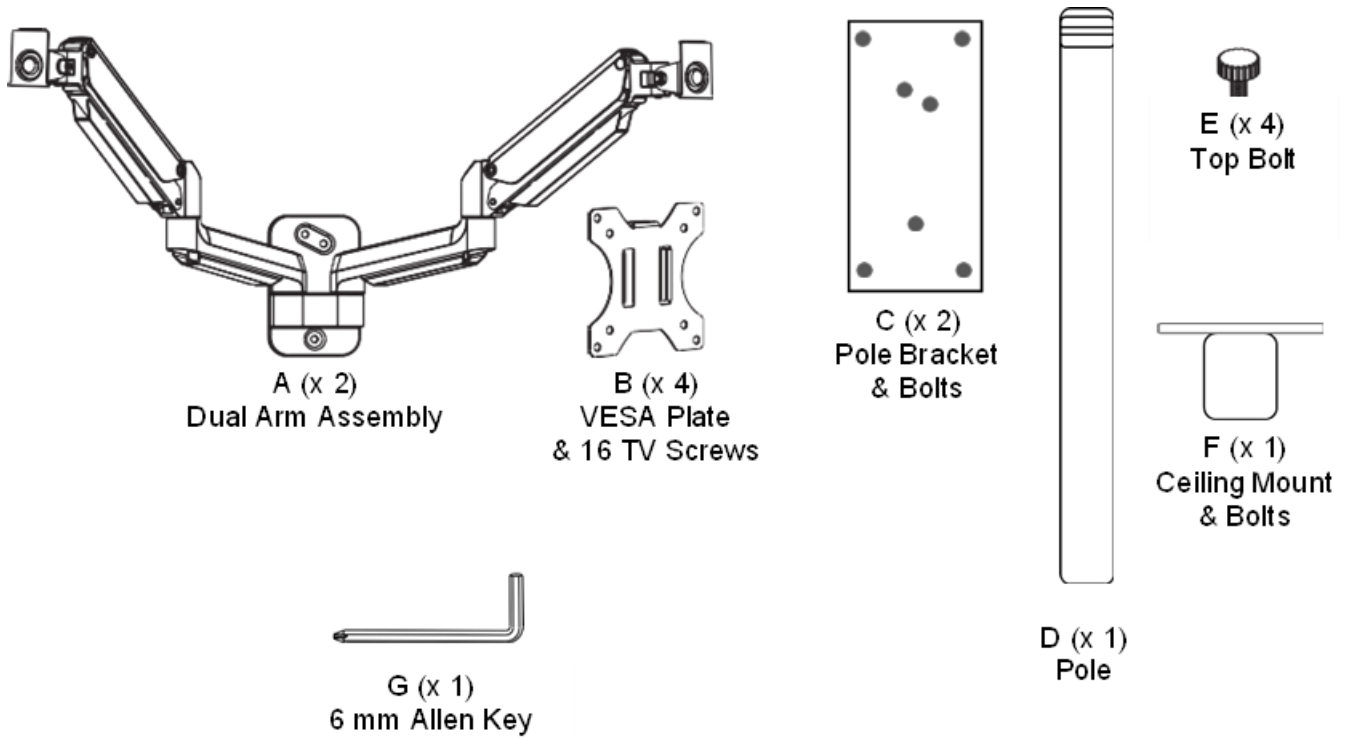
Here is the play-by-play:

STEP 1: Find a sturdy table close to an electrical outlet for testing. Please protect the base of the Mini Jumbotron and place it on the table and insert the non-threaded end of the quad mount pole into the silver flange of the base. Tighten the 2 flange screws using a 3/16th Allen Key so that the pole does not spin. As you tighten the 2 flange screws against the pole please be sure the pole remains straight and plumb.

Note: Tightening the flange screws unevenly, or too tightly, may make the pole sit crooked.

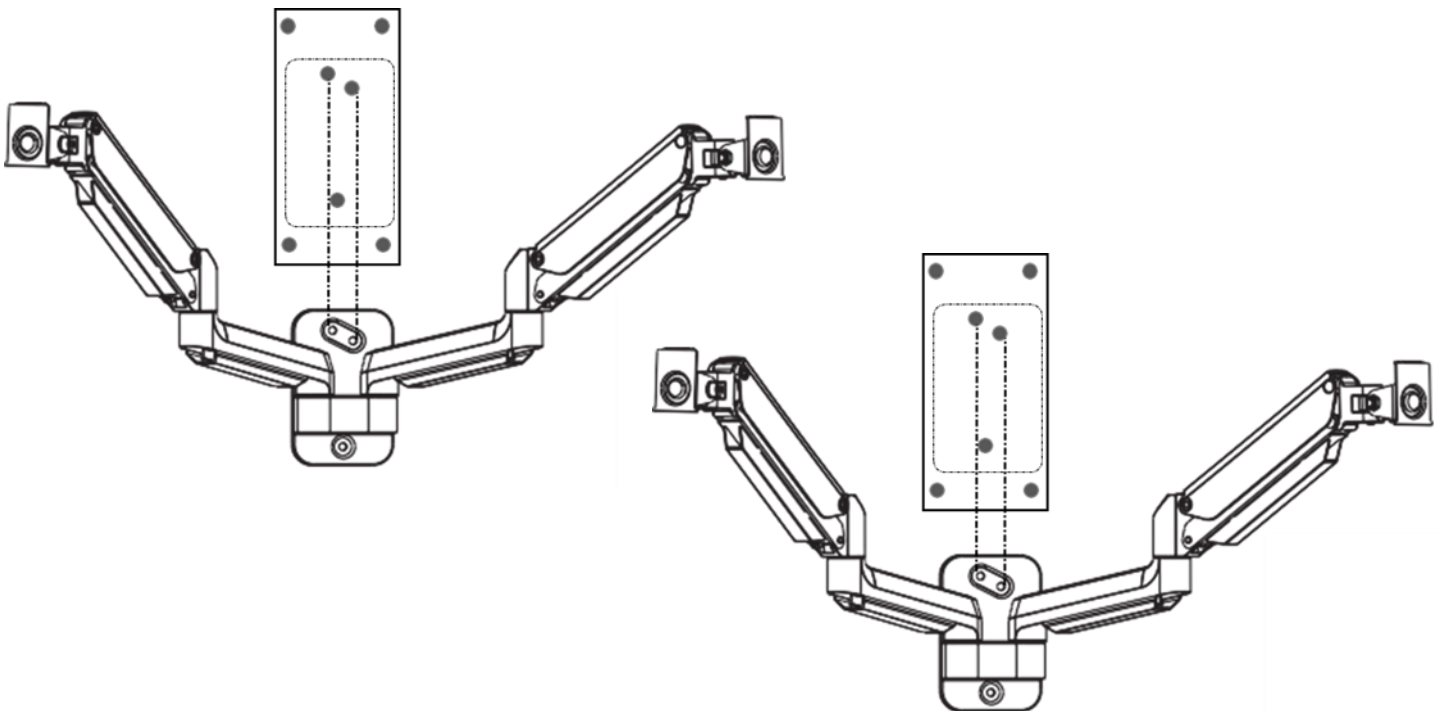


STEP 2: Assemble the Quad TV Mounting System using the appropriate hardware.

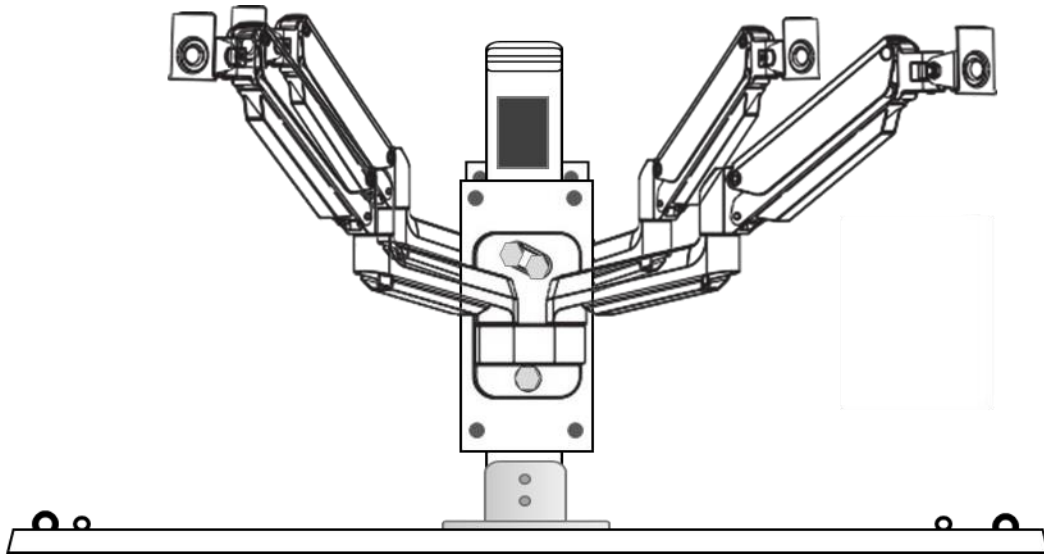


NOTE: Various sized TV screws & other hardware may be included. Not all hardware included may be used.

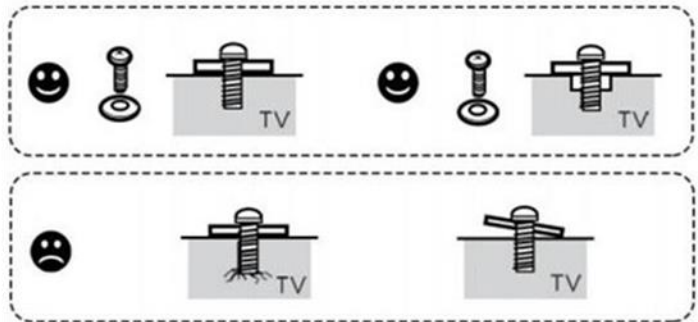
STEP 3: Attach each Pole Bracket (C) to each Dual Arm Assembly (A) using three $\frac{3}{4}$ " bolts and nuts.



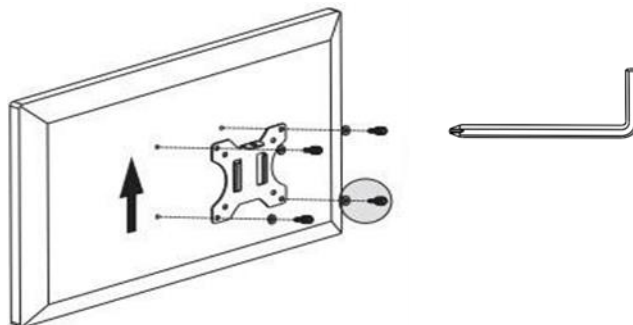
STEP 4: Attach both Dual Arm Assemblies (A) to the Pole (D) about .25" above the silver flange using the remaining 4 long bolts, lock washer and nut. Tighten the 4 bolts equally and securely so that the brackets permanently grip the pole and to prevent the mounts from sliding down the pole. Be careful not to overtighten or you may snap the bolts.



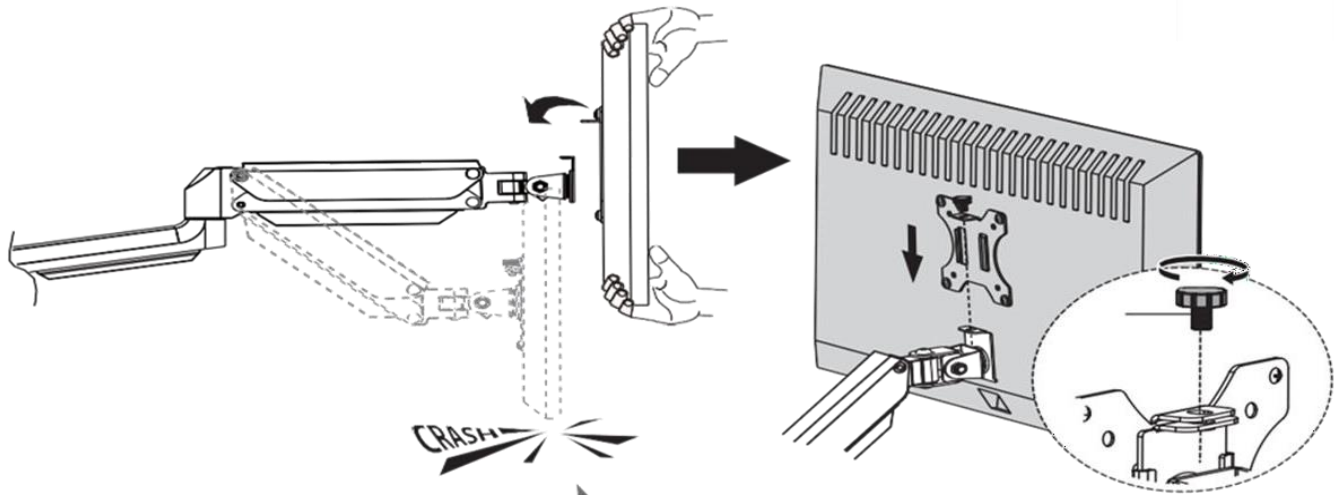
STEP 5: Attach the VESA Plates (B) to the back of each TV using the appropriately sized screws.



Once you find the correct screws, attach the VESA Plate (B) to the back of each TV using 4 washers, 4 screws and the screwdriver side of the included 6 mm Allen Key (G).



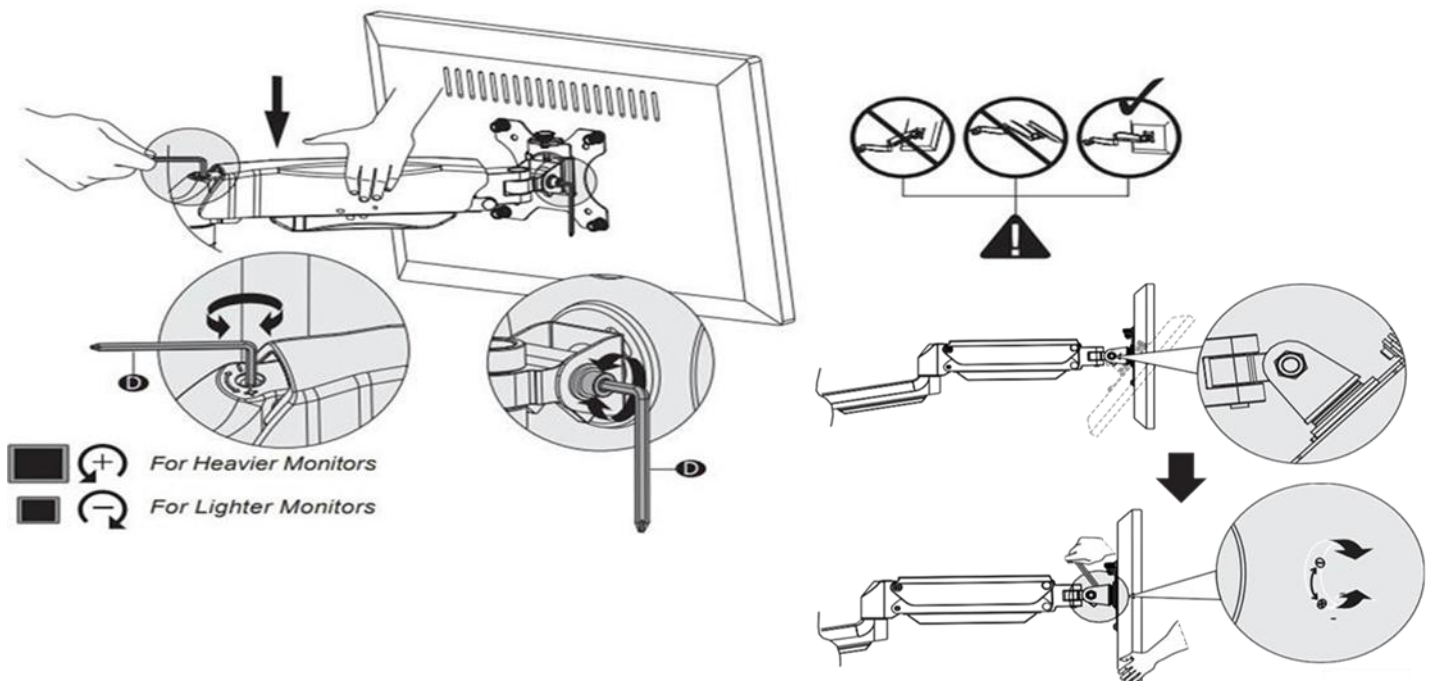
STEP 6: Put each assembled TV with the attached VESA Plate (B) onto each Arm Assembly (A). Ensure stability and then insert the Top Bolt (E) to hold each TV in place.



Important: The gas spring tension is pre-set to the weakest level by default. Please hold your monitor with both hands and do not let go to soon. It is important to make sure the TV does not suddenly drop as it may damage the TV.

STEP 7: Adjust the gas spring tension to your personal preference using the 6 mm Allen Key (G). You may also adjust the tilt tension using 6 mm Allen Key (G).

Insert the 6 mm Allen Key (G) into the adjusting hole and turn clockwise (-) to reduce gas spring tension, suitable for lighter screens. Insert the 6 mm Allen Key (G) into the adjusting hole and turn counterclockwise (+) to increase gas spring tension, suitable for heavier screens. Please take note it may take numerous turns for gas spring tension adjustment.



Helpful Tips:

- Each TV should be centered on their side of the base and should rest evenly on the foam strip with the TV remote sensor visible. **If your chosen TVs have a large sensor be sure to cut a notch in the foam on the base, using a razor blade, so your TVs will sit flush on the foam seal. Do not cut the TV sensor notch any larger or deeper than necessary or light will be visible. Please take your time and call if you have questions.**
- The bottom corners of your TVs should be set back just enough so that the Velcro on the bottom of your corner plexi-glass pieces will connect with the Velcro that is in each corner of the base.
- The top of each TV should be angled 10-15 degrees towards the floor. You will know if your TVs are positioned correctly once you add the plexi-glass sides.

STEP 8: PLEASE TAKE YOUR TIME WITH THIS NEXT STEP.

The 4 plexi-glass corner pieces will be held in place with the provided (optional) seal and Velcro that you will add to both sides of each TV. The seal and Velcro will eliminate gaps between the TVs and the plexi-glass. Test fit the plexi first to determine if the seal is necessary. See picture for ideal placement of both.

- You may notice that one side of the seal is more angled than the other. You'll want to apply the seal so that it forms a 45 degree angle.
- When applying the seal, keep the seal relatively flat with the front of the TV so that it doesn't stick out in front of the TV". Try not to allow the seal adhesive to show either. Take your time. If you mess up and need to order more seal you can do so [here](#).
- Apply pressure to the seal on the side of the TVs and give the adhesive 15 minutes to adhere before applying the Velcro. Then apply the Velcro and give the Velcro time to adhere as well.



STEP 7: Attach the corner plexi-glass pieces and adjust the TVs as necessary to get everything looking good. When you feel all four corners are in the right place you may tighten the TV mount angles.

STEP 8: Affix the LED Pod Lights to the side of the TV mounts so that they face the back of the plexiglass. Just choose a good spot that does not cast shadows onto the back of the plexiglass.

STEP 9: Plug in your lighting to see how it all looks. Try to keep the cords as short and tidy as possible. This is a good opportunity to download any related lighting apps and configure your lights. Please refer to the lighting manuals for instructions on which apps to download and how to set up your LED lights.

ALRIGHT ROOKIE – PRACTICE IS OVER. IT'S TIME TO MOUNT THIS BABY!

1. Securely fasten the ceiling mount to the ceiling. Make sure it installed in a location and in a manner that will support the total weight of your Mini Jumbotron. If you feel a dual joist bracket or extension pole is needed, you will find links to these items in our [FAQs](#).
2. Remove any plexiglass pieces you may have attached during the practice run and unplug all lighting.
3. Remove any TVs you may have installed.
4. Loosen the flange screws on the base to free the pole. Lift the pole and mounts together as one solid unit and securely screw the pole into your ceiling mount. If you're not able to handle the weight, please remove the mounts and then reinstall the mounts after the pole is securely attached to the ceiling.
5. Re-attach the base. Tighten the flange screws and make sure the base remains level. It may be helpful to use the bungee cords here. Since this model has no upper frame, connect two bungee cords together and attach them from corner to corner over the mounts. (If the bungee cords are causing the base to bend or bow then you may remove the bungee cords.
6. Re-install the 4 TVs, make sure they rest on the seal of the base and are angled properly.
7. Plug in everything.
8. Attach the Velcro plexi-glass side panels.
9. When you've got it looking good and something displaying on the TVs please text a brief video and pics to 623.606.6176. Congratulations and thank you!

ENJOY YOUR MINI JUMBOTRON!

PS: If you have any tips on how I can improve the product or installation please let me know. Thank you!



PEORIA, ARIZONA

GOT QUESTIONS? PLEASE CALL OR TEXT 623-606-6176

Please also send us pictures and video to post of your Mini Jumbotron