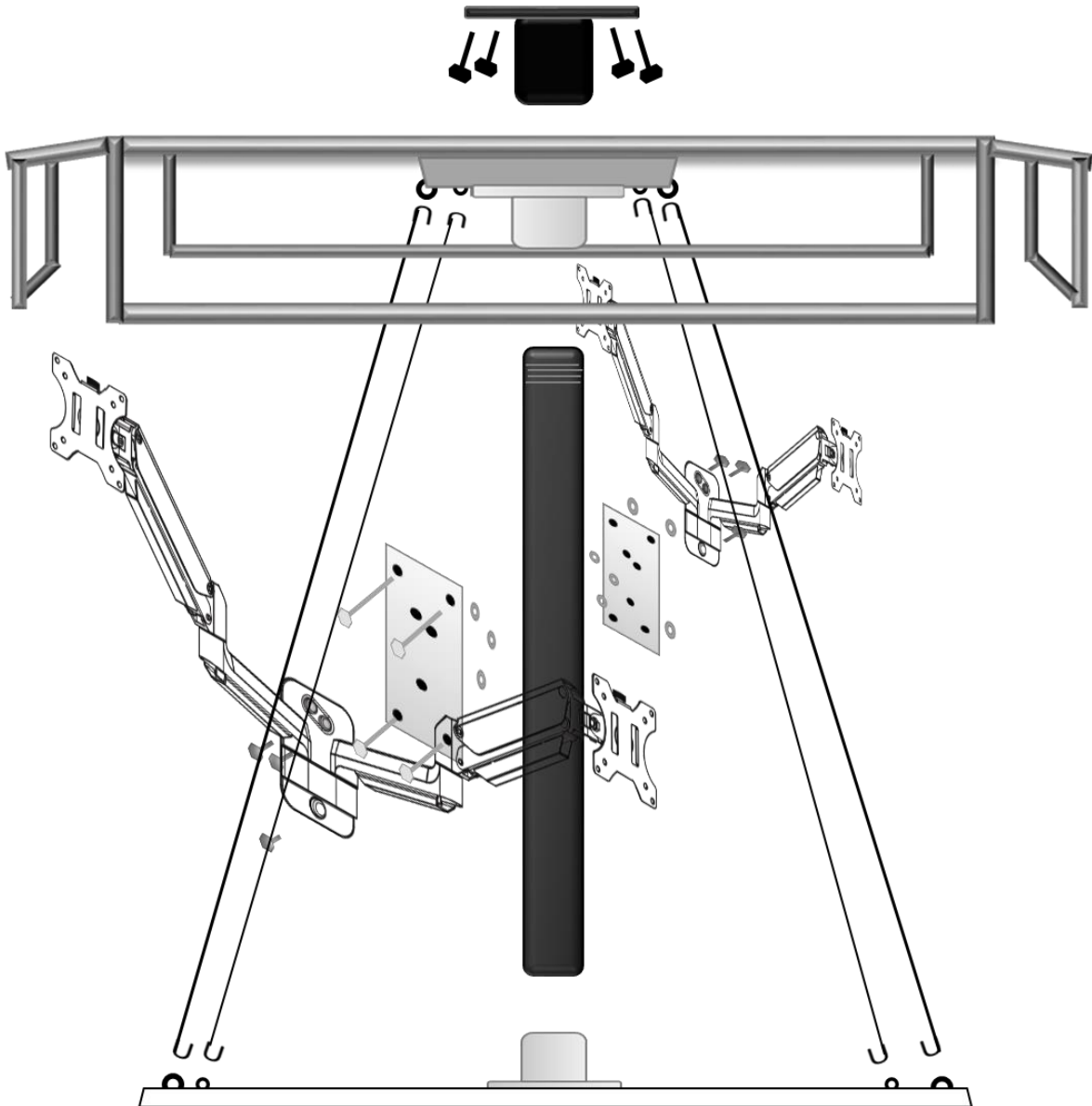




PEORIA, ARIZONA

THE MACROTRON 32 - INSTALLATION INSTRUCTIONS



PLAY-BY-PLAY

PLEASE TAKE YOUR TIME WITH THE INSTALLATION AND ASK SOMEONE TO HELP WITH ANY HEAVY LIFTING REQUIRED IN THESE INSTRUCTIONS.

WE TALKIN' ABOUT PRACTICE: WE RECOMMEND PERFORMING A PRACTICE INSTALL ON A TABLE BEFORE ATTEMPTING TO MOUNT THE MINI JUMBOTRON TO THE CEILING. THIS PRACTICE INSTALL WILL RESULT IN A SMOOTHER CEILING INSTALL AS IT OFFERS AN OPPORTUNITY TO DIAL IN THE MOUNTS, ATTACH THE SEAL & VELCRO TO THE TVS, MOUNT LIGHTING, AND TIDY UP CORDS. IT IS MUCH EASIER TO MAKE THESE TWEAKS NOW BEFORE THE MINI JUMBOTRON IS CEILING MOUNTED.

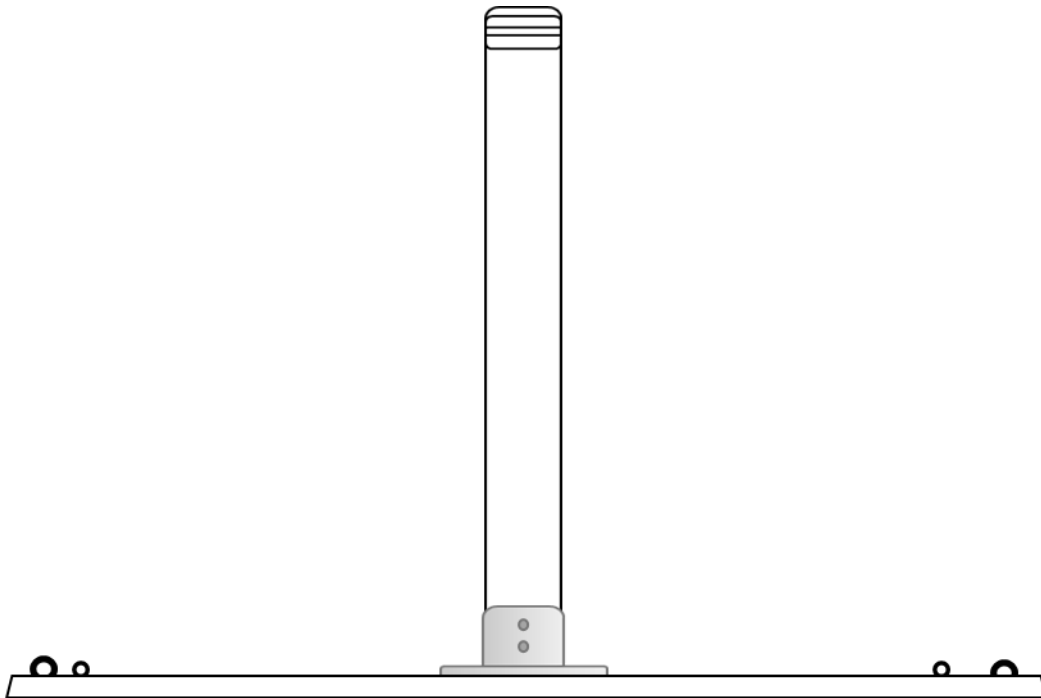
DURING ALL STEPS, PLEASE PROTECT THE MINI JUMBOTRON SO IT DOES NOT SCRATCH.

Before enjoying your Mini Jumbotron, you will need to assemble its guts. No guts, no glory.

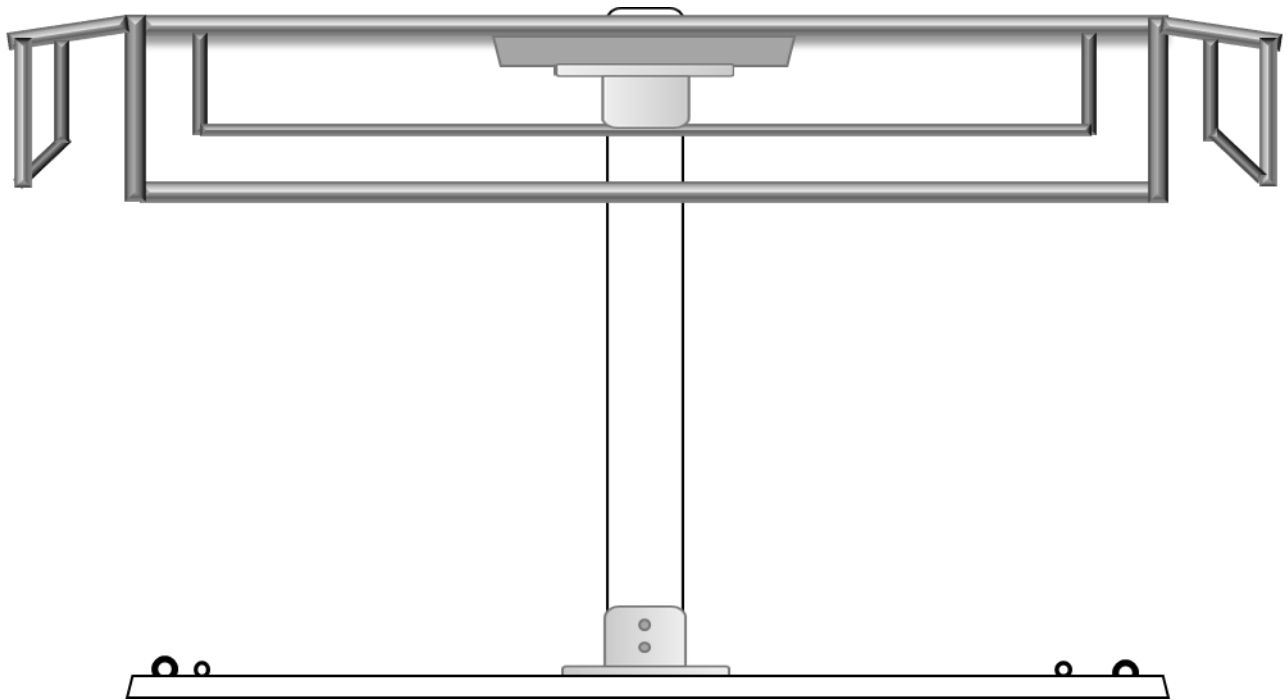
Here is the play-by-play:

STEP 1: Find a sturdy table close to an electrical outlet for testing. Please protect the base of the Mini Jumbotron and place it on the table. Insert the non-threaded end of the quad mount pole into the silver flange of the base. Tighten the 2 flange screws using a 3/16th Allen Key so that the pole does not spin. As you tighten the 2 flange screws to the pole please be sure the pole remains straight and plumb.

Note: Tightening the flange screws unevenly, or too tightly, may make the pole sit crooked.

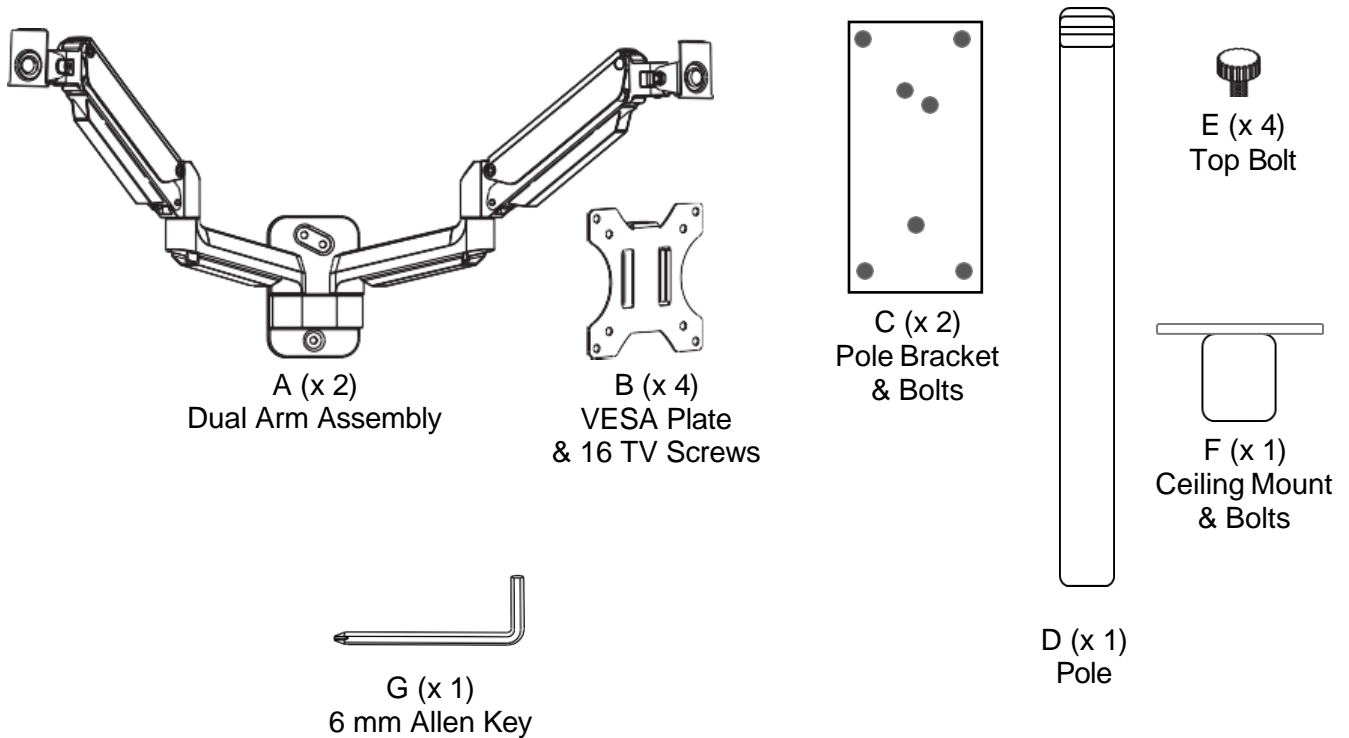


STEP 2: Assemble the top metal frame. Watch [Frame Assembly](#) video on instructions page.



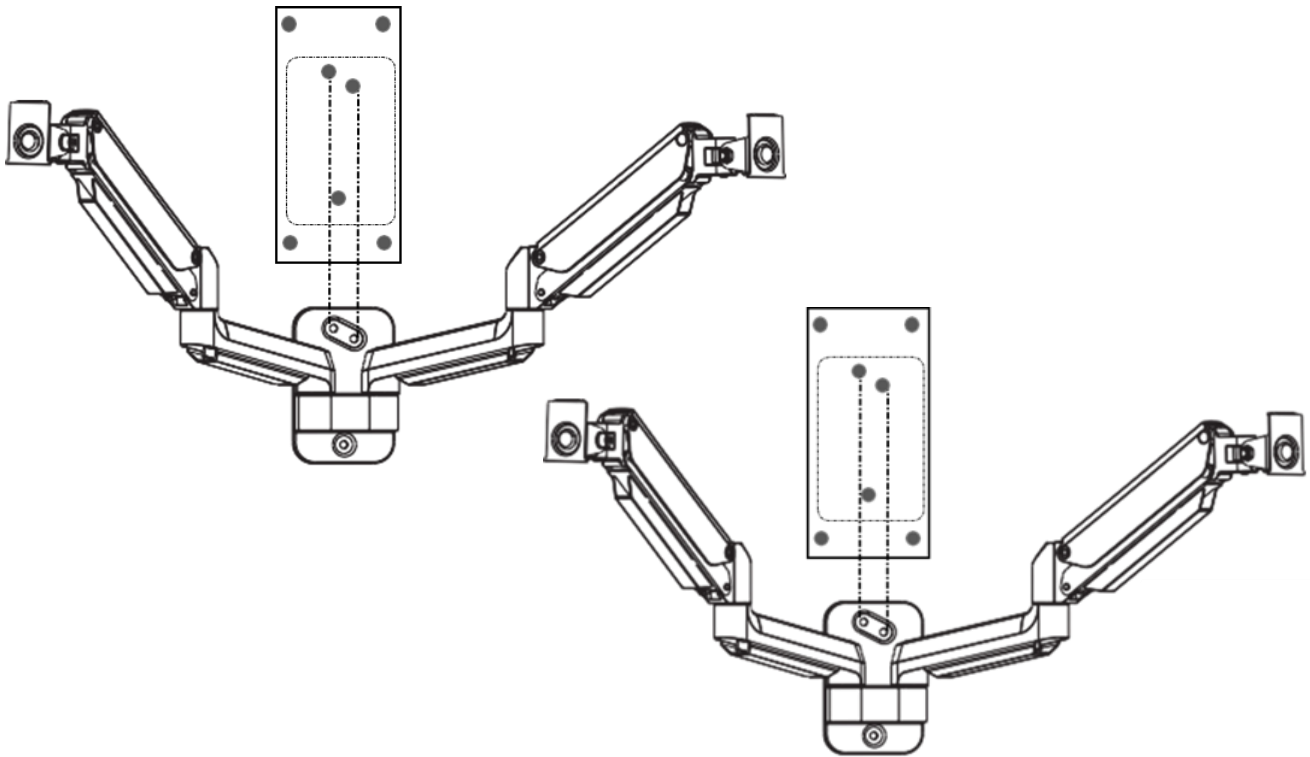
EITHER REMOVE THE FRAME WHILE INSTALLING THE TVs OR RAISE AND TIGHTEN THE FRAME UP AS HIGH AS YOU CAN SO IT IS OUT OF THE WAY DURING INSTALLATION OF THE TVs.

STEP 3: Assemble the Quad TV Mounting System using the appropriate hardware.

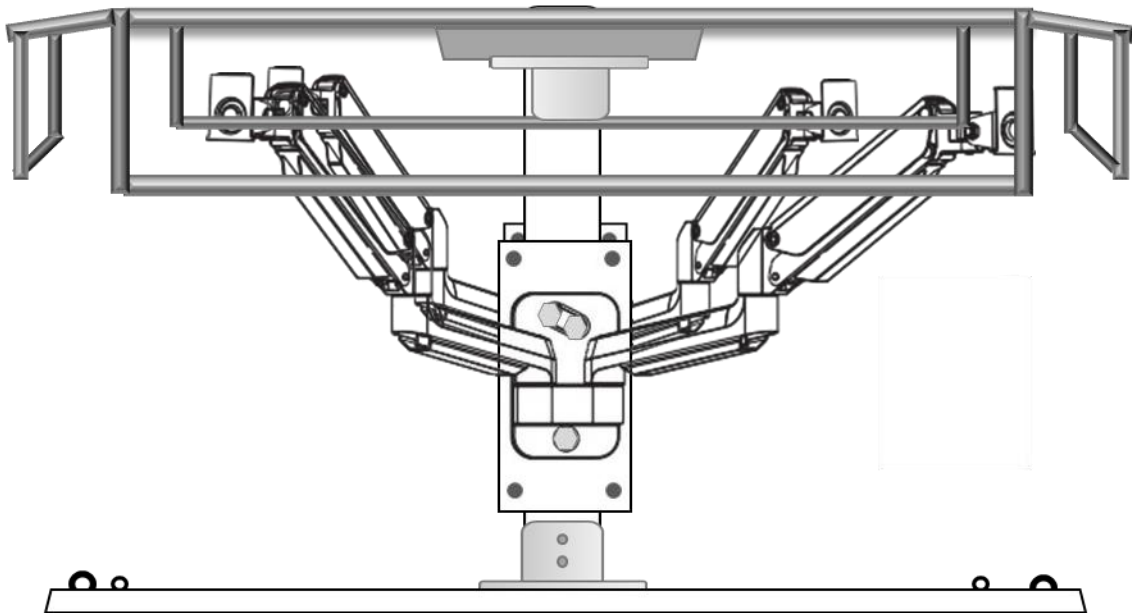


NOTE: Various sized TV screws & other hardware may be included. Not all hardware included may be used.

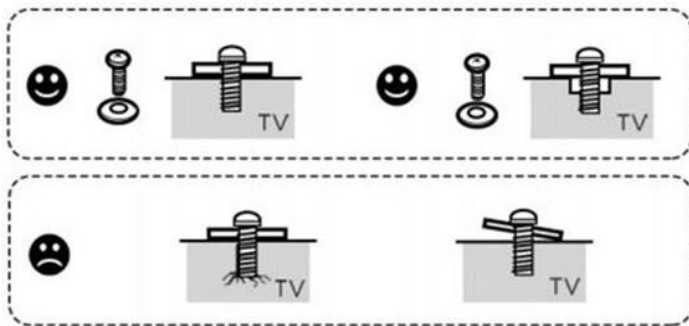
STEP 4: Attach each Pole Bracket (C) to each Dual Arm Assembly (A) using three $\frac{3}{4}$ " bolts and nuts.



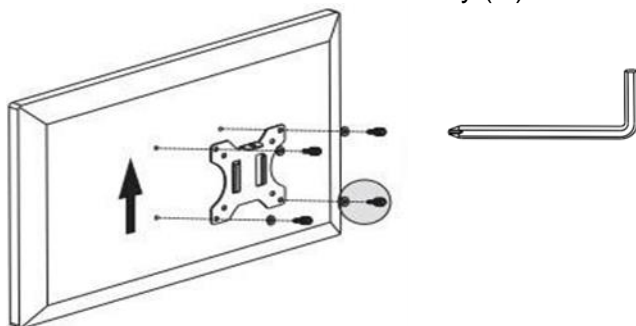
STEP 5: Attach both Dual Arm Assemblies (A) to the Pole (D) about 1" above the silver flange using the remaining 4 long bolts, lock washer and nut. Tighten the 4 bolts equally and securely so that the brackets permanently grip the pole and to prevent the mounts from sliding down the pole. Be careful not to overtighten or you may snap the bolts.



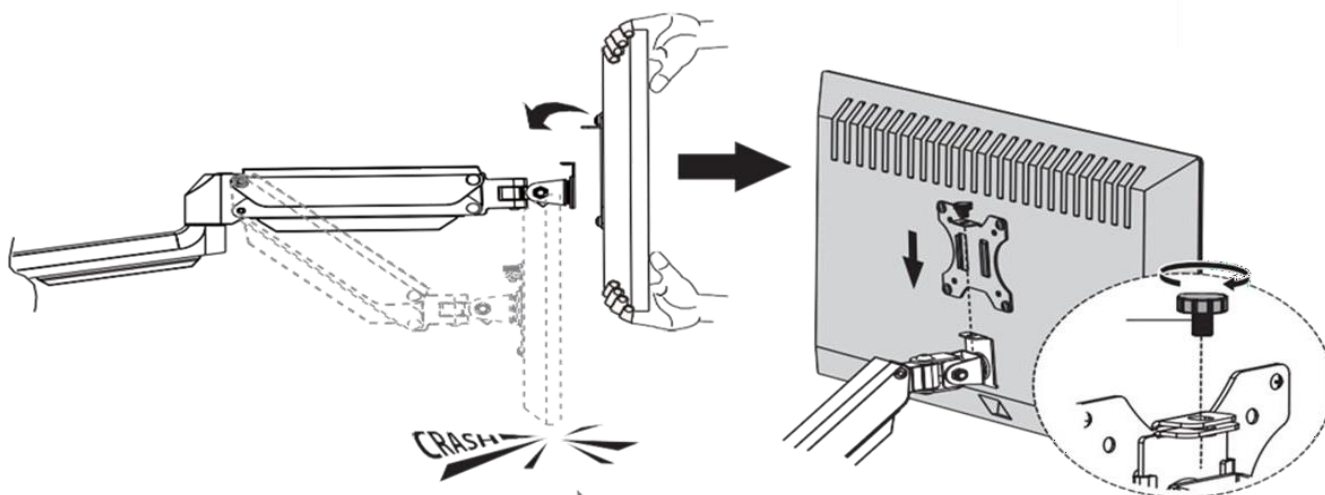
STEP 6: Attach the VESA Plates (B) to the back of each TV using the appropriate sized screws.



Once you find the correct screws, attach the VESA Plate (B) to the back of each TV using 4 washers, 4 screws and the screwdriver side of the included 6 mm Allen Key (G).



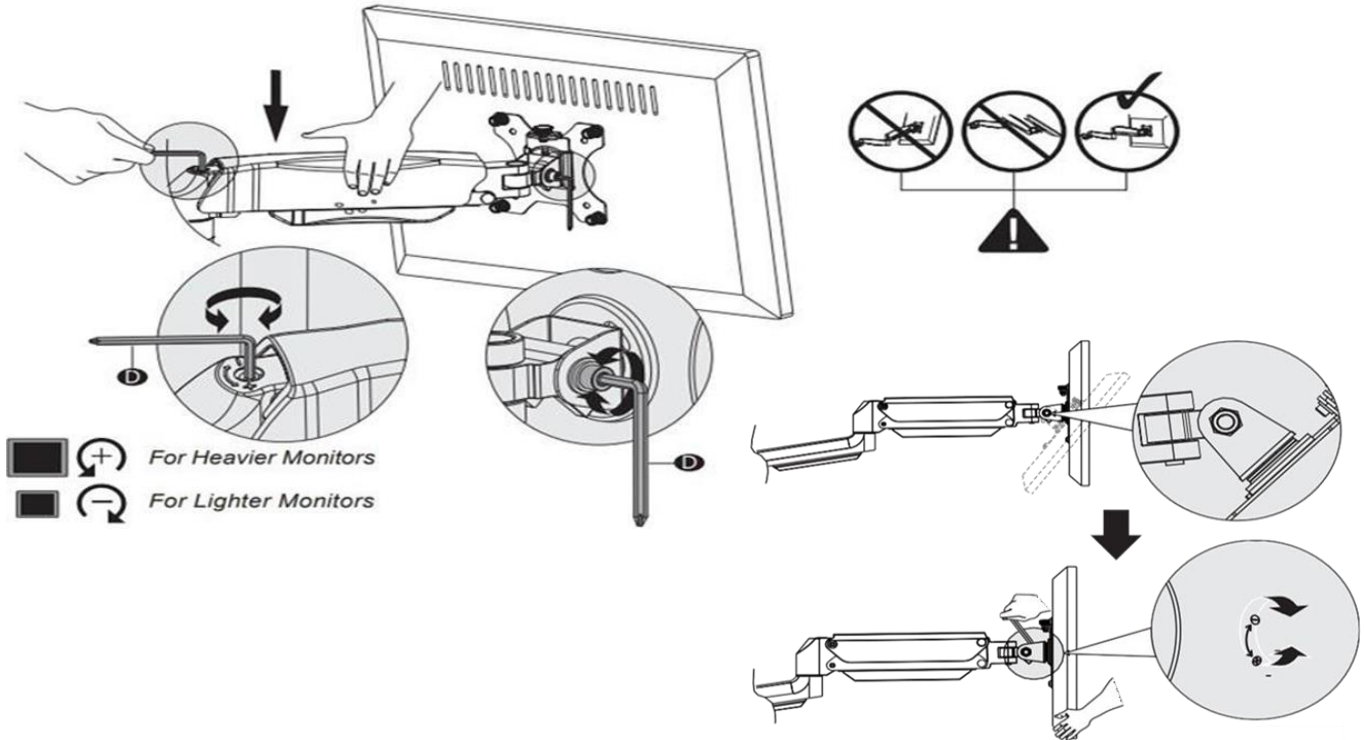
STEP 7: Put each assembled TV with the attached VESA Plate (B) onto each Arm Assembly (A). Ensure stability and then insert the Top Bolt (E) to hold each TV in place.



Important: The gas spring tension is pre-set to the weakest level by default. Please hold your monitor with both hands and do not let go too soon. It is important to make sure the TV does not suddenly drop as it may damage the TV.

STEP 8: Adjust the gas spring tension to your personal preference using the 6 mm Allen Key (G). You may also adjust the tilt tension using 6 mm Allen Key (G).

Insert the 6 mm Allen Key (G) into the adjusting hole and turn clockwise (-) to reduce gas spring tension, suitable for lighter screens. Insert the 6 mm Allen Key (G) into the adjusting hole and turn counter-clockwise (+) to increase gas spring tension, suitable for heavier screens. Please take note it may take numerous turns for gas spring tension adjustment.



Helpful Tips:

- Each TV should be centered on their side of the base and should rest on top of the black foam seal on the base with the TV remote sensor visible. If necessary, cut a small notch into the front of the black foam seal on the base to accommodate the TV sensors so that the TVs sit flat on the foam seal. Do not cut the notch too large or else the back lighting will be visible.
- The bottom corners of your TVs should be set back on top of the base foam seal just enough so that the plexi-glass corners will fit into the black corner slits on the base.

STEP 9: Grab someone to help you with this next step. The top of each TV should be angled 10-15 degrees towards the floor. You will know they're at the right angle once you add the Mini Jumbotron frame as the frame should rest on top of the 4 TVs. Be careful not to scratch the TVs by making sure the TVs are in the appropriate angled position before lowering the frame. Lower the top metal frame so that the black rubber seal of the frame rests on top of the TVs. Then tighten the frame in place using the hex key on the 2 silver flange screws.

STEP 10: Once your frame is resting level on top of your TVs, and no gaps exist between the frame and the TVs, you may tighten the flange screws of the Mini Jumbotron frame. As you tighten the flange screws please be sure the frame remains level and that there are no gaps between the top of the TVs and the frame.

Note: Sometimes tightening the flange screws in the wrong order, unevenly, or too tightly makes the frame sit crooked creating gaps above the TVs. The TVs will hold up the frame so you don't need to tighten the flange screws too tightly.

STEP 11: PLEASE TAKE YOUR TIME WITH THIS NEXT STEP. The 4 plexi-glass corner pieces will be held in place by both the Velcro on the metal Mini Jumbotron frame as well as the provided seal and Velcro that you will add to both sides of each TV. The seal and Velcro will also help eliminate any gaps between the TVs and the plexi-glass. Before starting this step you may want to text fit the plexi-glass so you have a good idea of where to put the seal and Velcro. See picture for ideal placement of both.

- When applying the seal, keep the seal relatively flat with the front of the TV so that it doesn't stick out in front of the TVs. Try not to allow the seal adhesive to show either. Take your time. If you mess up and need to order more seal you can do so [here](#).
- Apply pressure to the seal on the side of the TVs and give the adhesive 15 minutes to adhere before applying the Velcro over it. Then apply the Velcro and give the Velcro time to adhere as well.

STEP 12: Attach the corner plexi-glass pieces and adjust the TVs as necessary to get everything looking good. When you feel all four corners are in the right place you may tighten the TV mount angles.



STEP 13: Add the GOVEE LED strip lighting to the very top of the metal Mini Jumbotron frame to serve as ceiling accent lighting.

- 🔧 Use alcohol wipes to clean the top of the frame before affixing any LED strip.
- 🔧 Keep the strip about 1.5" away from the front edges of the metal frame. This will help hide the strip from being seen when your Mini Jumbotron is mounted. Ceiling accent lights look best when the strip is not visible from the ground.

STEP 14: You may also want to consider mounting the provided internal LED lights to the small metal octagon bracket that sits between the metal Mini Jumbotron frame and the silver flange that attaches to the pole. Take care not to interfere with where the bungee cords are hooked on top of this metal bracket and where the bungee cords connect to each corner of the base.

STEP 15: Let's go ahead and plug everything in and see how it all works. Try to keep the cords as short and tidy as possible. This is a good opportunity to download any related lighting apps and configure your lights. Please refer to the lighting manuals for instructions on which apps to download and how to set up your LED lights. Information on the recessed lighting is on the final pages of these instructions.

ALRIGHT ROOKIE – PRACTICE IS OVER. IT'S TIME TO MOUNT THIS BABY!

- 🔧 Securely fasten the ceiling mount to the ceiling. Make sure it installed in a location and in a manner that will support the total weight of your Mini Jumbotron.
- 🔧 Remove the plexi-glass and unplug everything. Raise the metal Mini Jumbotron frame an inch or so off the tops of the TVs so that you can remove the TVs.

Two Installation Options:

OPTION 1 (Probably the wiser and safer option):

1. Remove the metal Mini Jumbotron frame and the TV mounts from the pole.
2. Loosen the flange screws on the base to free the pole. Lift the pole and screw the pole into your ceiling mount.
3. Lift the metal Mini Jumbotron frame and raise it onto and push it up the pole as high as you can. Then tighten the flange screws. (You will lower the frame later onto the TVs but for now let's push it up out of the way).
4. Reattach the TV mounts.

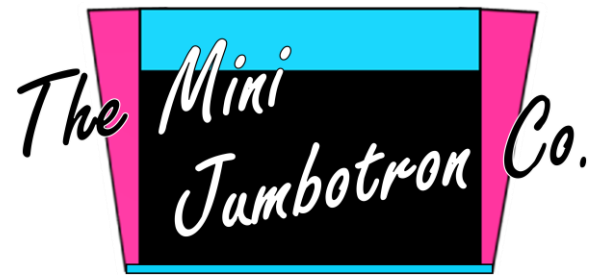
OPTION 2 (Your wife will remind you that you should have and still can choose option 1):

1. Grab a buddy. Tell him about Option 1. If he said “screw that” you found the right helper for this.
2. Loosen the flange screws on the base to free the pole. Lift the pole, frame and mounts all together as one solid unit and screw the pole into your ceiling mount.

- 🔧 Re-attach the base. It will be helpful to use the bungee cords here. Tighten the flange screws and make sure the base remains level.
- 🔧 Re-install the 4 TVs, make sure they rest on the seal of the base and are angled properly.
- 🔧 Plug in everything.
- 🔧 Now lower the metal Mini Jumbotron frame so it rests on the 4 TVs and tighten the flange screws.
- 🔧 Attach the Velcro plexi-glass panels. When you've got it looking good and something displaying on the TVs **please text a brief video and pics to 623-606-6176**. Congratulations and thank you!

ENJOY YOUR MINI JUMBOTRON!

PS: If you have any tips on how I can improve the product or installation please let me know. Thank you!



PEORIA, ARIZONA