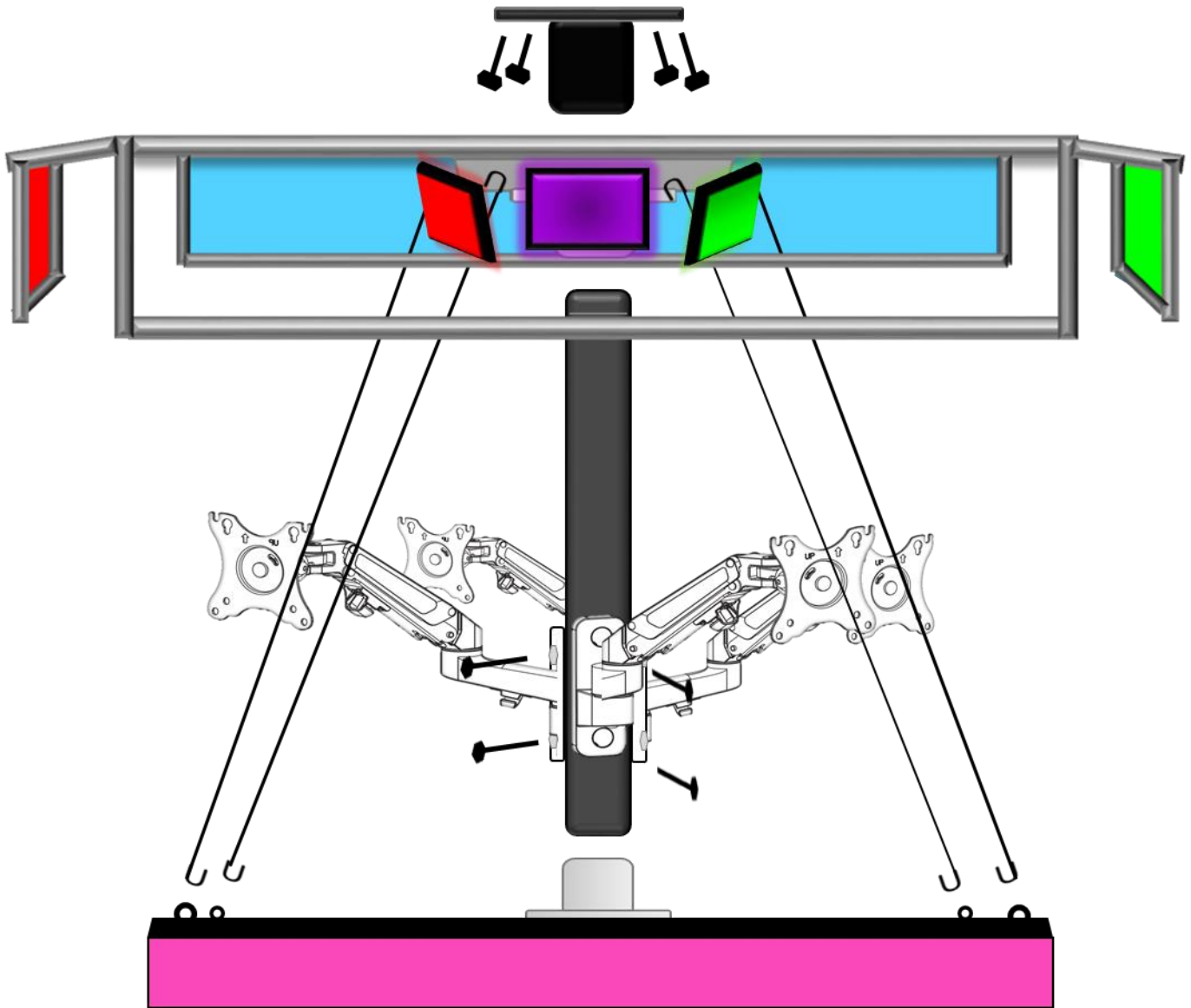


PEORIA, ARIZONA

MINITRON INSTALLATION INSTRUCTIONS



PLAY-BY-PLAY

PLEASE TAKE YOUR TIME WITH THE INSTALLATION AND ASK SOMEONE TO HELP WITH ANY HEAVY LIFTING REQUIRED IN THESE INSTRUCTIONS.

WE TALKIN' ABOUT PRACTICE: WE RECOMMEND PERFORMING A PRACTICE INSTALL ON A TABLE BEFORE ATTEMPTING TO MOUNT THE MINI JUMBOTRON TO THE CEILING. THIS PRACTICE INSTALL WILL RESULT IN A SMOOTHER CEILING INSTALL AS IT OFFERS AN OPPORTUNITY TO DIAL IN THE MOUNTS, ATTACH THE SEAL & VELCRO TO THE TVS, MOUNT LIGHTING, AND TIDY UP CORDS. IT IS MUCH EASIER TO MAKE THESE TWEAKS NOW BEFORE THE MINITRON IS CEILING MOUNTED.

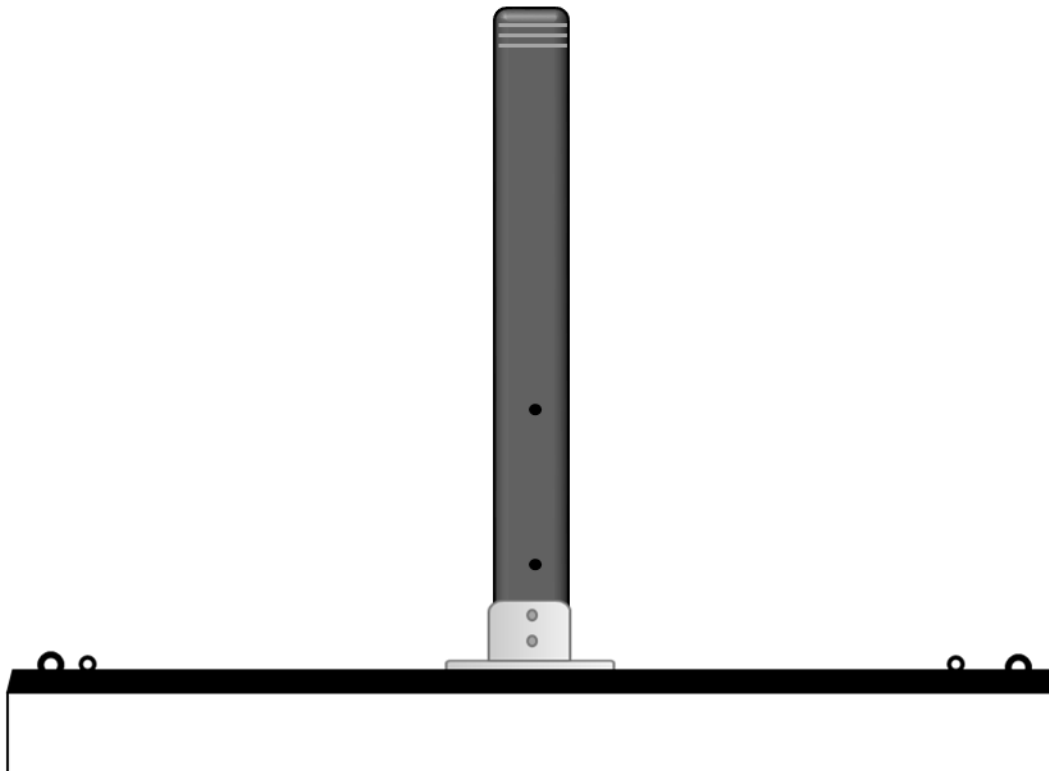
DURING ALL STEPS, PLEASE PROTECT THE MINI JUMBOTRON SO IT DOES NOT SCRATCH.

Before enjoying your MINITRON, you will need to assemble its guts. No guts, no glory.

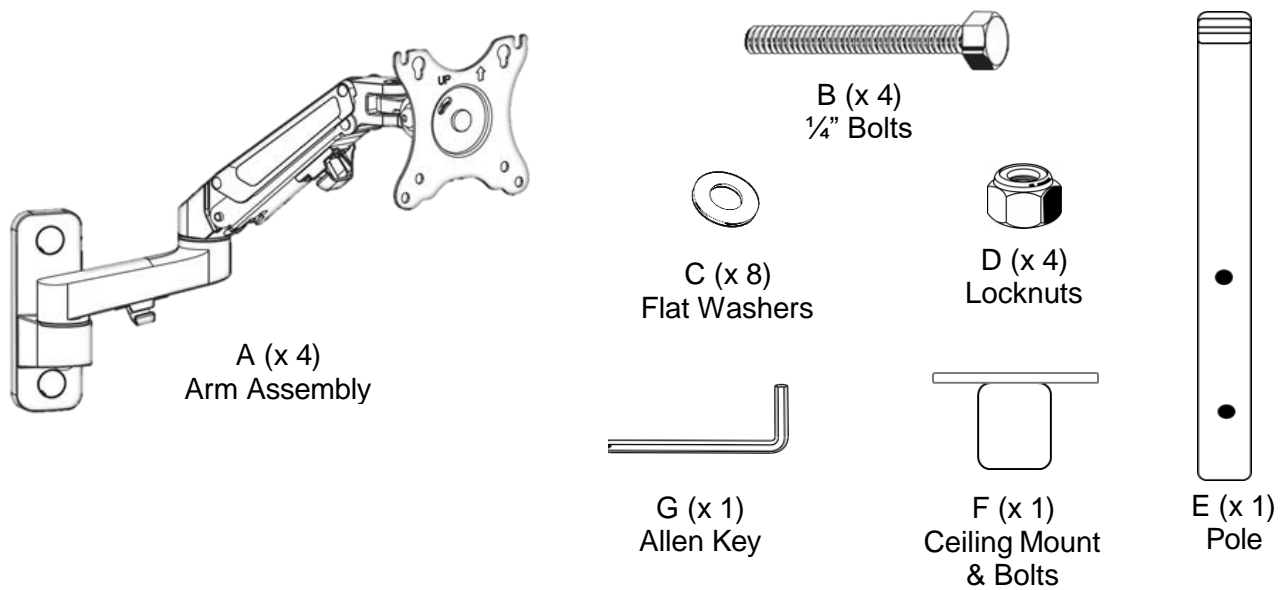
Here is the play-by-play:

STEP 1: Find a sturdy table close to an electrical outlet for testing. Please protect the Ring of Honor base of the MINITRON and place it on the table and insert the non-threaded end of the quad mount pole into the silver flange of the base. Tighten the 2 flange screws using a 3/16th Allen Key so that the pole does not spin. As you tighten the 2 flange screws to the pole please be sure the pole remains straight and plumb.

Note: Tightening the flange screws unevenly, or too tightly, may make the pole sit crooked.

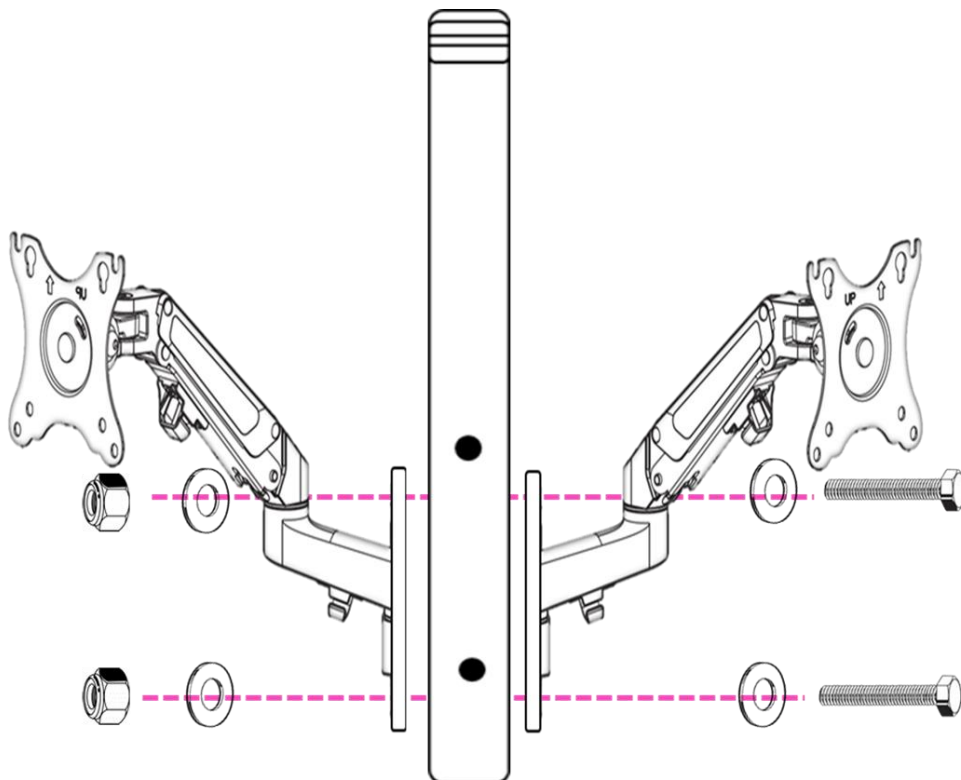


STEP 2: Assemble the Quad TV Mounting System using the appropriate hardware.

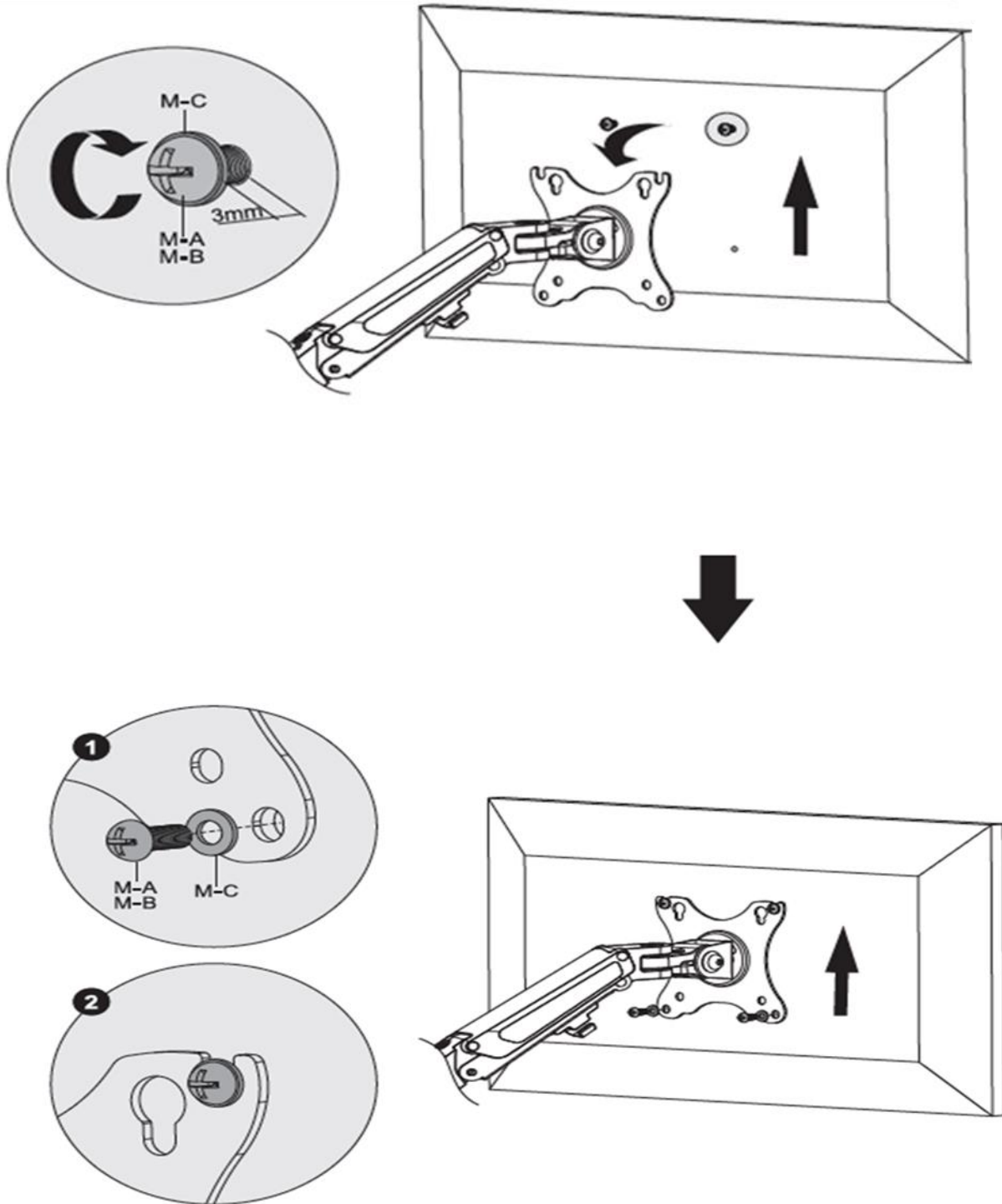


NOTE: Various sized TV screws & other hardware may be included. Some hardware may not be used.

STEP 3: Attach 2 Arm Assemblies (A) to the Pole (E) Using 2 Bolts (B), 4 Washers (C) and 2 Locknuts (D). Tighten securely with two 7/16" socket wrenches. Repeat this step to attach the remaining 2 arm assemblies to the pole.

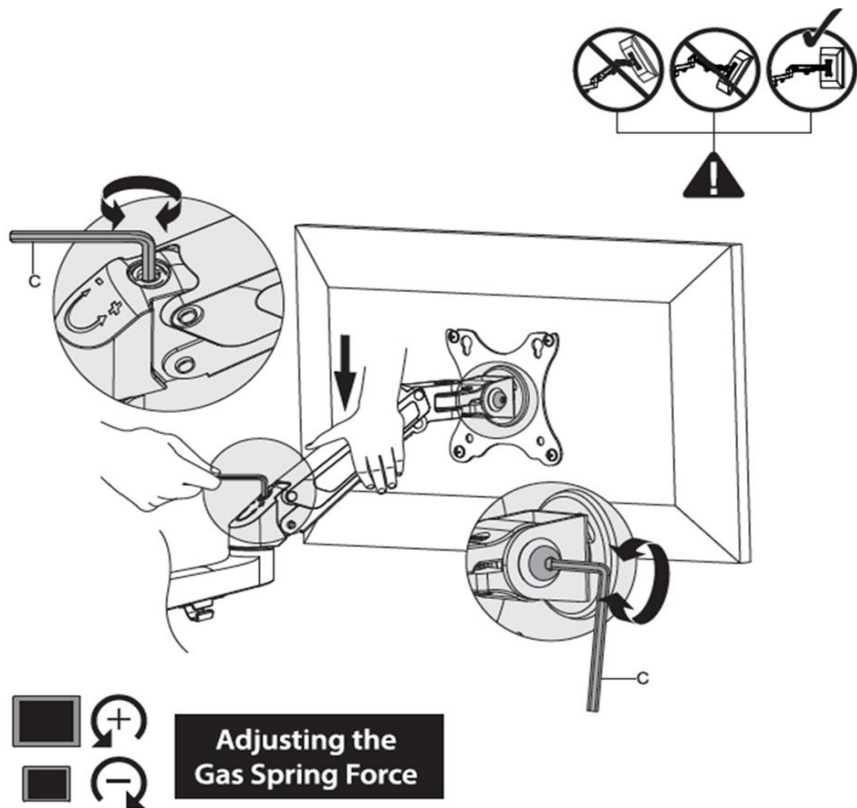


STEP 4: Mount the TVs. Locate the correct set of screws for your TVs. You may find it easier to hang the TVs if you first attach the top two screws into the back of the TV and then set your TV onto the mounting plate.



STEP 5: Adjust the gas spring tension to your personal preference using the Allen Key (G). You should be able to physically lower the TVs and position them onto of the foam on the Ring of Honor base.

As needed: Insert the Allen Key (G) into the adjusting hole and turn clockwise (-) to reduce gas spring tension, suitable for lighter screens. Insert the Allen Key (G) into the adjusting hole and turn counter-clockwise (+) to increase gas spring tension, suitable for heavier screens. Please take note it may take numerous turns for gas spring tension adjustment.



Tips:

- ❖ This is a MINITRON. We don't have a lot of room to work with or room to spare. These are the shortest gas spring arm mounts in the world and it is still going to be an extremely tight fit. You will need to be patient as you bend the 4 mounts to fit and align the TVs properly. This picture shows a top down view of 2 mounts. It may be helpful to use this picture as you find the right mount configuration for your mounts. The picture illustrates just how close the mounts will be too each other.
- ❖ Each TV should be centered on their side of the base and should rest on the foam strip with the TV remote sensor visible.
- ❖ The top of each TV should be angled 10-15 degrees towards the floor. You will know they are positioned correctly and at the right angle once you add the Mini Jumbotron frame as the frame should rest on top of the 4 TVs.



STEP 6: Grab someone to help you with this next step. Lift up the Mini Jumbotron metal frame and place the center silver flange of Mini Jumbotron frame over the top of the pole. Before lowering the frame, please make sure the TVs are angled correctly so that the seal on the bottom of the Mini Jumbotron frame will rest flat on top of all 4 TVs. Be careful not to scratch the TVs by making sure the TVs are in the appropriate angled position before lowering the frame.

STEP 7: Once your frame is resting level on top of your TVs, and no gaps exist between the frame and the TVs, you may tighten the flange screws of the Mini Jumbotron frame. As you tighten the flange screws please be sure the frame remains level and that there are no gaps between the top of the TVs and the frame.

Note: Sometimes tightening the flange screws in the wrong order, unevenly, or too tightly makes the frame sit crooked creating gaps above the TVs. The TVs will hold up the frame so you don't need to tighten the flange screws too tightly.

STEP 8: PLEASE TAKE YOUR TIME WITH THIS NEXT STEP. The 4 plexi-glass corner pieces will be held in place by both the Velcro on the metal Mini Jumbotron frame as well as the provided seal and Velcro that you will add to both sides of each TV. The seal and Velcro will also help eliminate any gaps between the TVs and the plexi-glass. Before starting this step you may want to test fit the plexi-glass so you have a good idea of where to put the seal and Velcro. See picture for ideal placement of both.

- ❖ You may notice that one side of the seal is more angled than the other. You'll want to apply the seal so that it forms a 45 degree angle.
- ❖ When applying the seal, keep the seal relatively flat with the front of the TV so that it doesn't stick out in front of the TV more than 1/8". Try not to allow the seal adhesive to show either. Take your time. If you mess up and need to order more seal you can do so [here](#).
- ❖ Apply pressure to the seal on the side of the TVs and give the adhesive 15 minutes to adhere before applying the Velcro. Then apply the Velcro and give the Velcro time to adhere as well.



STEP 9: Attach the corner plexi-glass pieces and adjust the TVs as necessary to get everything looking good. When you feel all four corners are in the right place you may tighten the TV mount angles.

STEP 10: This will be the best opportunity to affix the ceiling accent LED strip lights to the very top of the metal Mini Jumbotron frame. I recommend doing so before your Mini Jumbotron is raised to the ceiling.

- ❖ Use alcohol wipes to clean the top of the frame before affixing the provided LED strip.
- ❖ Keep the strip about 1.5" away from the front edges of the metal frame. This will help hide the strip from being seen when your MINITRON is mounted. I feel these ceiling accent lights looks best when the strip is not visible.

STEP 11: Consider taking this opportunity to mount the 4 internal LED Flood lights to the metal bracket that sits between the metal Mini Jumbotron frame and the silver flange that attaches to the pole. There are 4 holes in the bracket to mount the flood lights using the 4 screw/bolts provided. Here is a picture showing the proper placement. Note also the placement of the bungee cords. You can either install them now or wait until you mount the MINITRON to the ceiling.

WARNING: Don't hurt yourself. People have lost eyes from bungee cords. The MINITRON is better with sight.



STEP 12: Let's go ahead and plug everything in and see how it all works. Try to keep the cords as short and tidy as possible. This is a good opportunity to download the apps and configure your lights. Please refer to the lighting manuals for instructions on which apps to download and how to set up your devices.

ALRIGHT ROOKIE – PRACTICE IS OVER. IT'S TIME TO MOUNT THIS BABY!

- Securely fasten the ceiling mount to the ceiling. Make sure it installed in a location and in a manner that will support the total weight of your Mini Jumbotron.
- Remove the plexi-glass and unplug everything. Raise the metal Mini Jumbotron frame an inch or so off the tops of the TVs so that you can remove the TVs.

Two Installation Options:

OPTION 1 (Probably the wiser and safer option):

1. Remove the metal Mini Jumbotron frame and the 4 TV mounts.
2. Loosen the flange screws on the Ring of Honor base to free the pole. Lift the pole and screw the pole into your ceiling mount.
3. Lift the metal Mini Jumbotron frame and raise it onto and push it up the pole as high as you can. Then tighten the flange screws. (You will lower the frame later onto the TVs but for now let's push it up out of the way).
4. Reattach the mounts.

OPTION 2 (Your wife will remind you that you should have and still can choose option 1):

1. Grab a buddy. Tell him about Option 1. If he said "screw that" you found the right helper for this.
 2. Loosen the flange screws on the Ring of Honor base to free the pole. Lift the pole, frame and mounts all together as one solid unit and screw the pole into your ceiling mount.
- Re-attach the base. It will be helpful to use the bungee cords here. Tighten the flange screws and make sure the base remains level.
 - Re-install the 4 TVs, make sure they rest on the seal of the base and are angled properly.
 - Plug in everything.
 - Now lower the metal Mini Jumbotron frame so it rests on the 4 TVs and tighten the flange screws.
 - Attach the Velcro plexi-glass panels. When you've got it looking good and something displaying on the TVs please text a brief video and pics to 623.606.6176. Congratulations and thank you!

ENJOY YOUR MINI JUMBOTRON!



PEORIA, ARIZONA

If you have any questions, please contact us.

www.Minijumbotron.com